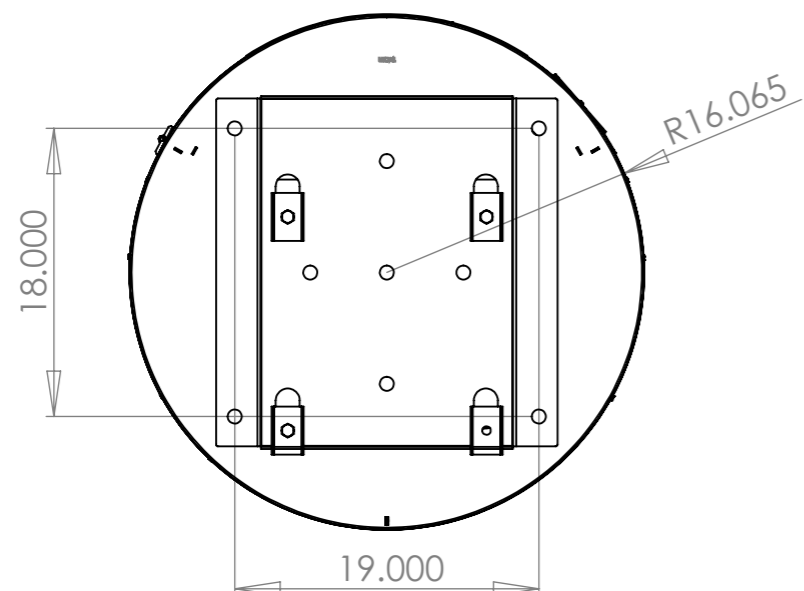


THIS UNIT WILL FIT THE FOLLOWING MACHINES:

- HYOSUNG HALO
- HYOSUNG HALO2
- HYOSUNG 1800SE
- HYOSUNG 2700



LAST SAVED DATE: 5/31/2018

UNLESS OTHERWISE SPECIFIED: DIMENSIONS ARE IN MILLIMETERS SURFACE FINISH: TOLERANCES: LINEAR: ANGULAR:		FINISH: PAINT	DEBUR AND BREAK SHARP EDGES	TPI 972-276-2901 FAX 972-276-3451 1136 N. FIRST ST. GARLAND, TX. 75040 www.tpitexas.com	
DRAWN	NAME	SIGNATURE	DATE	TITLE: ATM/RND-1824 1824 ALUM ROUND ATM	
CHK'D				DWG NO. RND-1824 ASM Dimensions	
APPV'D				SHEET 1 OF 1	
MFG				REVISION -	
Q.A				A3	
				WEIGHT:	